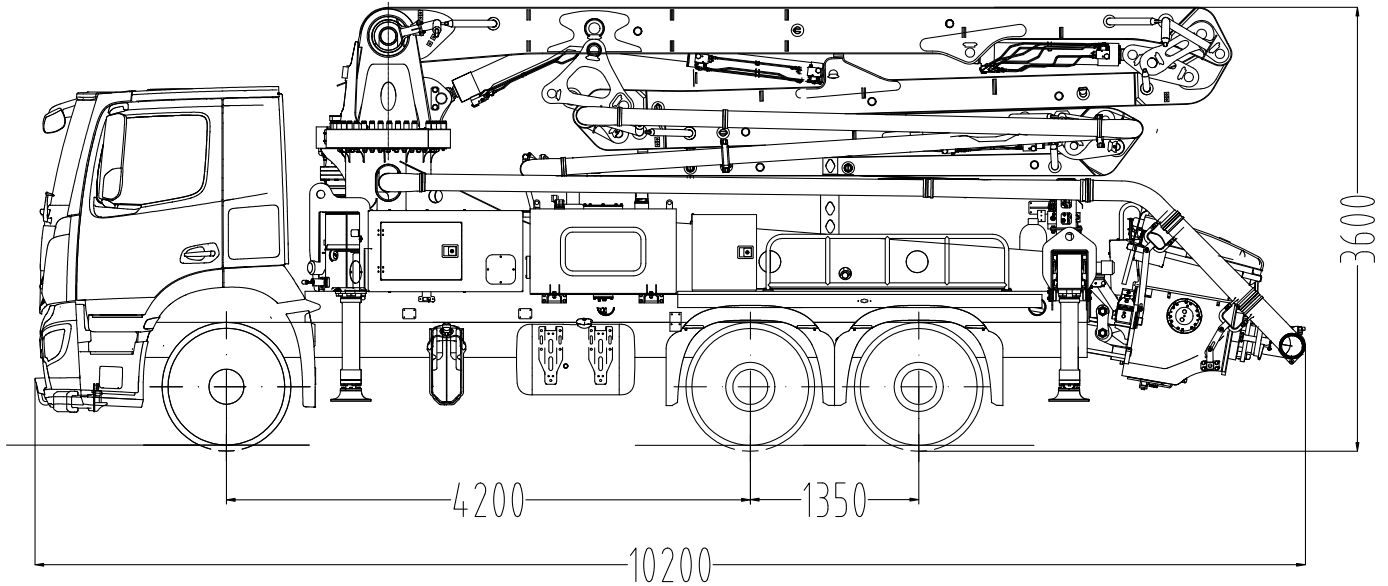


## Truck-mounted concrete pump

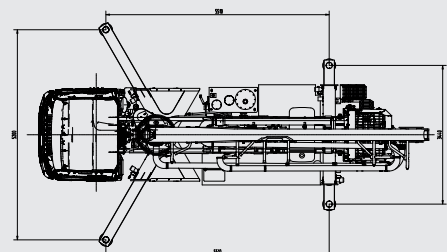
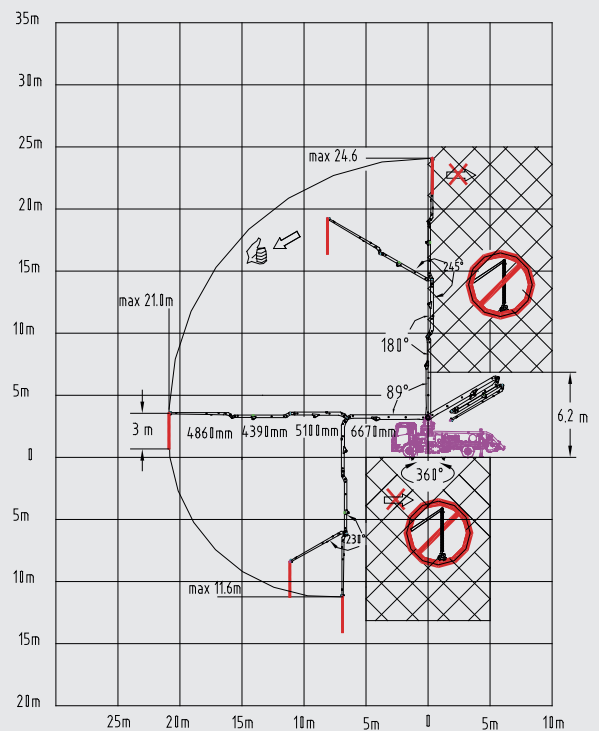
## SY25 Z4-150



Note: Standard version. Dimensions and weights depend on truck, pump model and equipment. For illustration only.

Technical data		
Boom	Folding system	4-arm Z
	Vertical reach	24.6 m
	Horizontal reach	21.0 m
	Reach depth	11.6 m
	Unfolding height	6.2 m
	End hose length	3 m
Support	Outrigger spread front	5.2 m
	Outrigger spread rear	3.4 m
Dimensions	Overall length	10.2 m
	Width	2.5 m
	Height	3.6 m
Core pump	Output	137 m <sup>3</sup> /h
	Pressure	70 bar
	Strokes/min	34
	Delivery cylinder Ø	230 mm
	Stroke length	1600 mm

### Reach diagram / support



## Standard Equipment SY25 Z4-150

Chassis	Transfer Gear Box	Support	OSS one side support (assistance device)
	Towing eye		Support plates (4x) in magazine (2x) open
Cleaning	Water tank 400 l	Safety	Swivel support plates
	Water pump 150 l/min 20 bar		Chassis horn via remote control on hopper
Delivery line	2-layer delivery line – DN 125, 5.5"	Additional features	Handrail on rearsteps
	End hose 3 m DN 125, 5.5"		Horn at the boom, button on rear controlbox
Hopper	Concrete hopper with agitator	Additional features	Warning device boom not in cradle
	Central lubrication hopper, hydraulically		User manual and spare part list
	Hard metal wear parts kit		Stowage Box
	Switchover cylinder diameter = 100 mm		Painting: Pedestal, hopper, arm assembly and delivery line in RAL 9010 Pure white
	Agitator safety switch off, lever switch		Platform aluminum
Lighting	Working light for illuminating hopper	Additional features	Rear steps, left & right side
	Side marker lamps		Plastic hopper cover, foldable
Pump	Core pump with 1600 mm stroke	Additional features	Vibrator on hopper grid, radio remote/on site controlled
	Delivery cylinder with 230 mm diameter		
	Core pump with 137 m <sup>3</sup> /h delivery rate		
	Delivery cylinder chrome-plated		
	Delivery piston standard		
Control System	SANY SYLD user interface display		
	SANY SYMC control system		
	Radio remote control propotional		
	2nd radio remote control incl. 40 m cable		

See quotation for exact serial delivery scope.

Materials and specifications are subject to change without further notice in accordance with our continuous technical innovations. Photos and illustrations may include additional equipment.  
All rights reserved. 22.01

## Putzmeister Concrete Pumps GmbH

Max-Eyth-Straße 10 · 72631 Aichtal, Germany  
P.O.Box 2152 · 72629 Aichtal  
Tel. +49 (7127) 599-0 · Fax +49 (7127) 599-520  
pmw@putzmeister.com · www.putzmeister.com