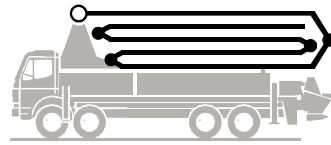


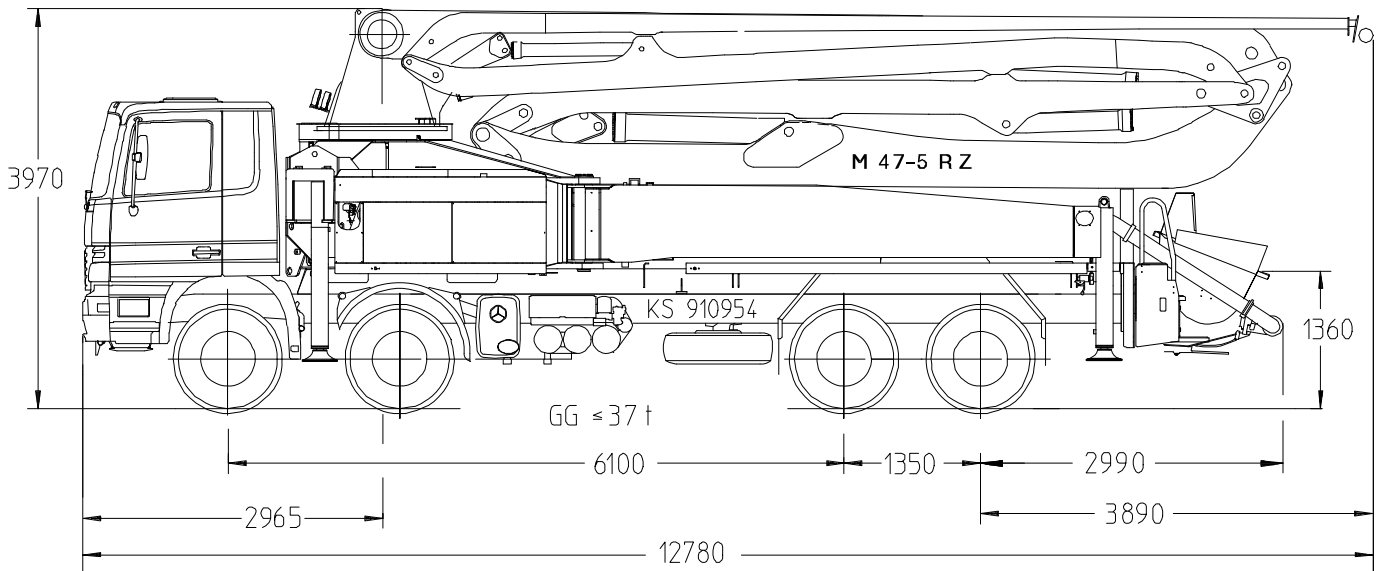
Putzmeister

Truck-mounted concrete pump BSF 47-5.14 H

Output up to 160 m³/h
 Delivery pressure up to 130 bar*



.16 H
 .16 H LS



Note: Standard version. Dimensions and weights depend on truck, pump model and equipment.
 Dimensions in mm, MB-Actros 4144 as example.

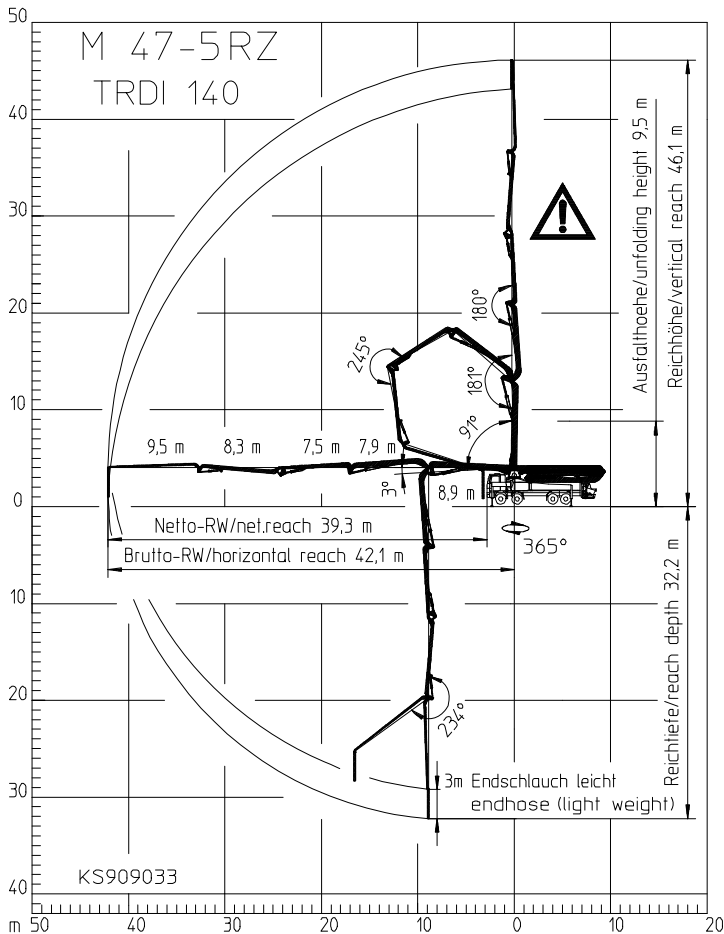
Technical data

Boom M 47-5		
Sections		5
Reach height	m	46.1
Horizontal reach	gross	m 42.1
	net	m 39.3
Reach depth max.	m	32.2
Unfolding height	m	9.5
End hose length	m	3
Folding system		RZ
Delivery line		DN 125

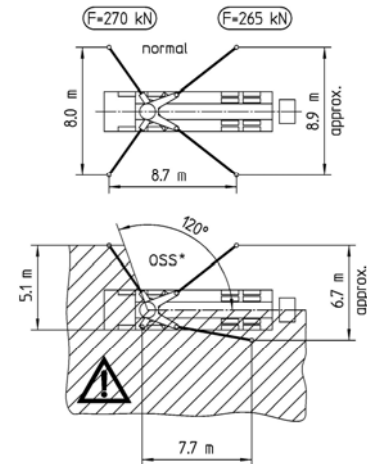
Pump		BSF	.14 H	.16 H	.16H LS
Rod side	Output	m ³ /h	140	160	-
	Delivery pressure	bar	70	85	-
	Strokes	1/min.	27	31	-
Piston side	Output	m ³ /h	88	108	160
	Delivery pressure	bar	112	130	85
	Strokes	1/min.	17	21	26
	Delivery cylinder	Ø mm	230	230	250
	Stroke	mm	2100	2100	2100

*) Delivery line boom max. 85 bar.
 All data maximum theoretical.

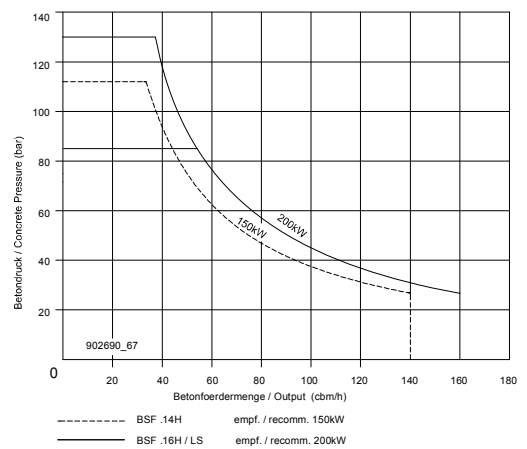
Reach information diagram, Support, Performance diagram



Range in which you must not work with the end hose.



* OSS not included in series range
OSS ist nicht im Serienumfang enthalten



All data max. theor.

Serial delivery scope

Agitator and water pump radio remote / on site controlled
Boom pedestal TRDI
Boom rear light 24 V
Cardan shaft maintenance free
Central lubrication strip hopper
Chassis horn via remote control on hopper
Concrete hopper RS 900 with agitator
Connections for hydraulic emergency supply
C pipe connection for filling water tank
Delivery cylinder chrome plated
Delivery line (1-layer) PM 40, arm assembly
Delivery piston, 'compact' (14 H, 16 H), 'single' (16 H LS)
Diagnose interface
End hose 3,0 m DN 125 5,5"
Ergonic Graphic Display (EGD) with machine fault management

Ergonic Pump System (EPS) incl. Ergonic Output Control (EOC)
Flushing water pump 160 l/min 25 bar
Hand working search light for hopper, detachable
Hydraulic hose for replacement in hose pack
Operating manuals 2 x cert. (1 x paper, 1 x CD-ROM) spare part list
Painting: pump MB 1227 chrome yellow
Painting: arm assembly RAL 3020 signalred
Platform non-skid
Pump on/off dependent on speed
Radio remote control proportional with display
Remote control with 40m cable, without display
Rubber collar on hopper
Single piston
Spectacle wear plate DURO 22
Splash guard fixed

Spray hose 10 m incl. bracket
S-transfer tube switchover fast/slow
Support plates (4 x) in magazine (2 x) open
Swivel support plates
Tool set incl. standard equipment
Towing eye
Water supply, hopper (1/2")
Water tank 880 l

See quotation for exact serial delivery scope.
Comprehensive range of options available on request.