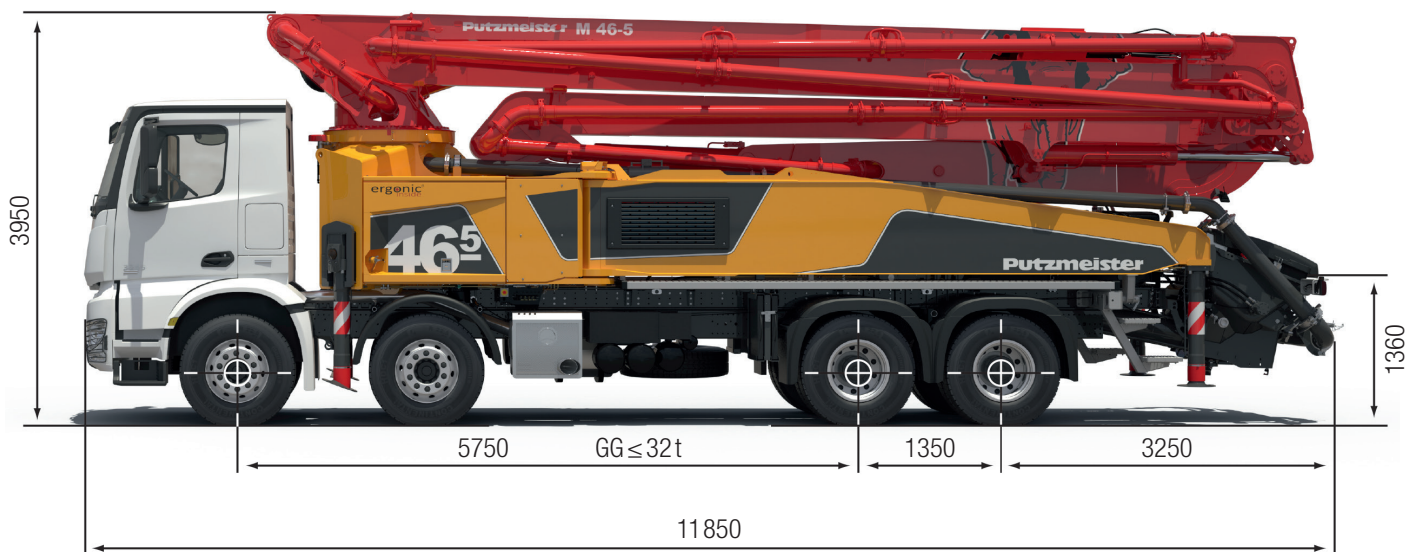
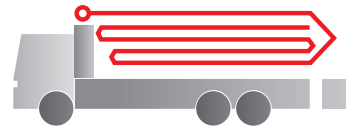


Truck-mounted concrete pump

BSF 46-5.16 H

.16 H LS

Output up to 160 m³/h
 Delivery pressure up to 130 bar*



Note: Standard version. Dimensions and weights depend on truck, pump model and equipment.
 Dimensions in mm, MB-Arocs 4143 as example.
 For illustration only.

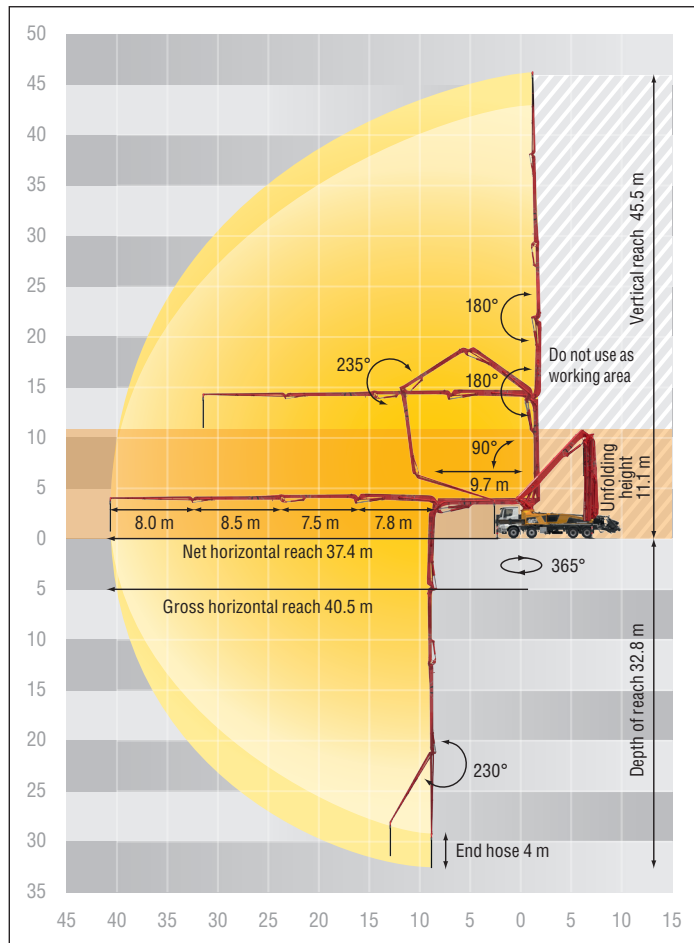
Technical data

Boom M 46-5		
Sections		5
Reach height	m	45.5
Horizontal reach	gross	m 40.5
	net	m 37.4
Reach depth max.	m	32.8
Unfolding height	m	11.1
End hose length	m	4
Folding system		RZ
Delivery line		DN 125

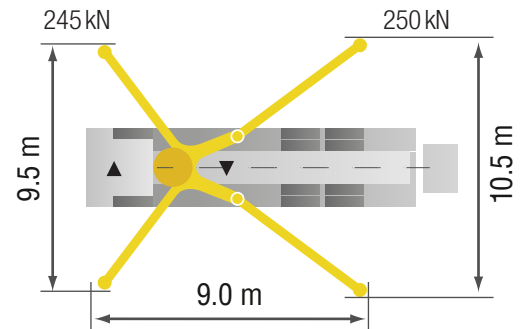
Pump		BSF	.16 H	.16 H LS
Rod side	Output	m ³ /h	160	–
	Delivery pressure	bar	85	–
	Strokes	1/min.	31	–
Piston side	Output	m ³ /h	108	160
	Delivery pressure	bar	130*	85
	Strokes	1/min.	21	26
	Delivery cylinder	Ø mm	230	250
	Stroke	mm	2100	2100

*) Delivery line boom max. 85 bar.
 All data maximum theoretical.

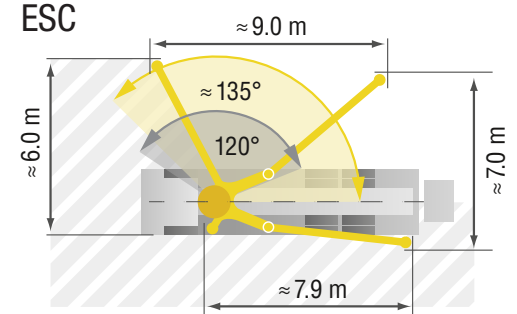
Reach information diagram



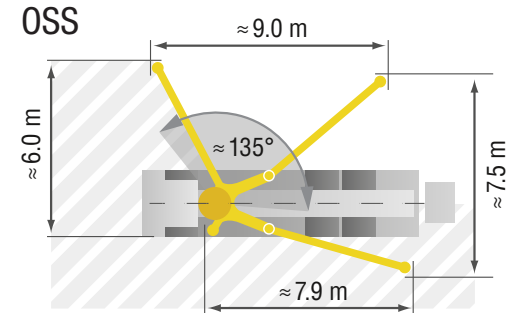
Support



ESC



OSS



Delivery scope Standard Line

Adjustment options with machine fault management (EGD-RC)

Agitator safety switch off, with startup protection

Bolted I-frame

Bolted pipe holders

Boom rest RFID-monitored

Box for sponge balls

CAN-Bus system

Cardan shaft maintenance free

Combined lubrication: auto lubrication of hopper, A-joint and slewing ring. Cycles adjustable.

Concrete hopper with agitator

Connection for filling water tank

Contamination indicator hydraulic oil filter

Delivery cylinder chrome-plated

Delivery note-box, plastic

Diagnose interface

EOC – Ergonic Output Control

EPS – Ergonic Pump System

Ergonic 2.0

Ergonomic water hose reel at riser pipe

Fail-safe S transfer tube

Flushing water pump 160 l/min 25 bar

Fully enclosed side for simple cleaning

Hand rail at water tank, right hand side

Hinged elbow with cleaning port

Hose for cleaning 10 m incl. bracket and spray nozzle

Hydraulic fluid cooler integrated in the support leg

Hydraulic hose for replacement in hose pack

LED lighting control box

LED lighting control sections

LED lighting hopper

Maintenance free pins rear support leg

Maintenance-optimized support cylinder

Operating manuals 2x (1x paper, 1x CD-ROM), spare part list

Painting: 3-coloured Putzmeister standard

Platform non-skid

Radio remote control ergonic 2.0 with display, also using with cable

Rubber collar on concrete hopper

S-transfer tube switchover fast/slow

Spectacle wear plate DURO 22

Splash guard foldable

Support plates (4x)

Wash-out port lid with secured sliding pin

Water supply at hopper

Water tank 800 l

Wear reduced delivery line elbow with extension both sides

See quotation for exact serial delivery scope. Comprehensive range of options available on request.